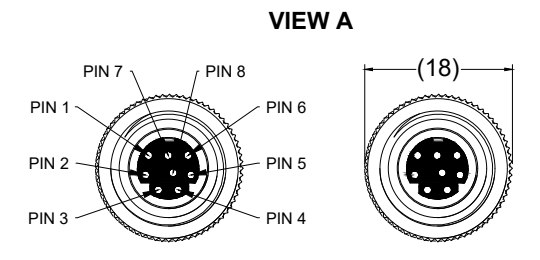
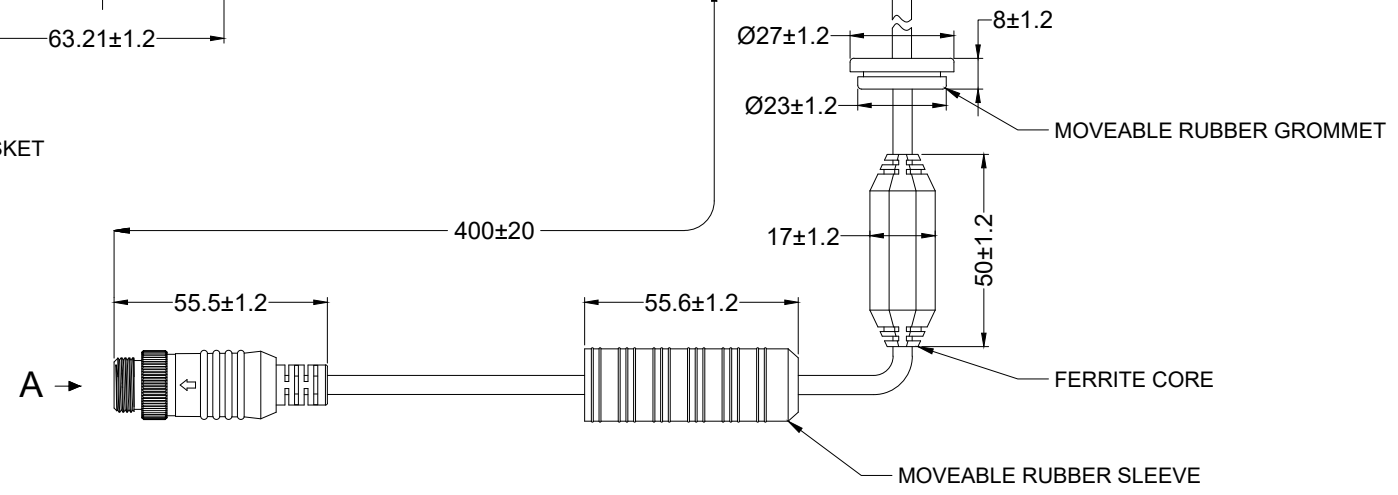
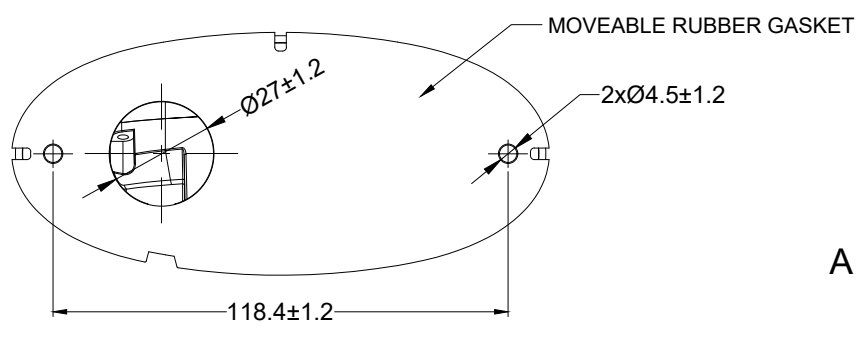
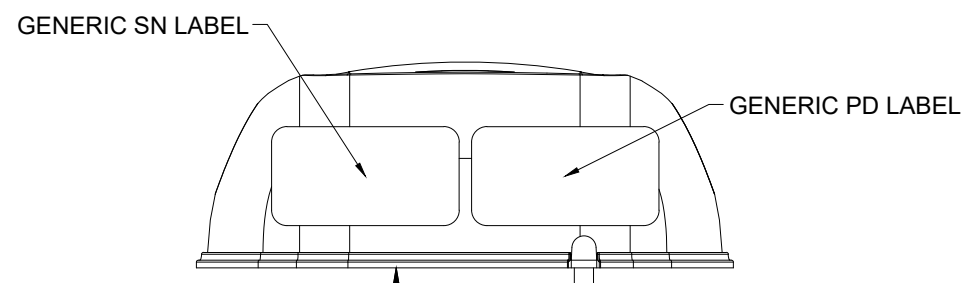
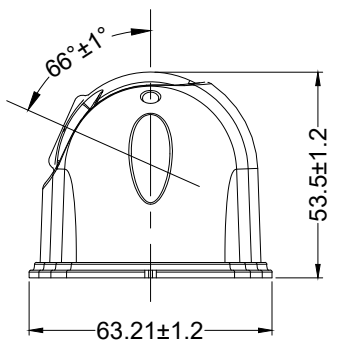
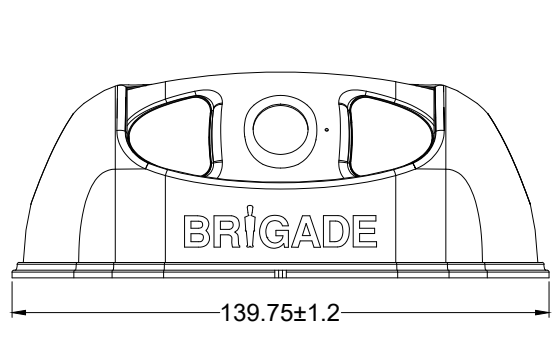
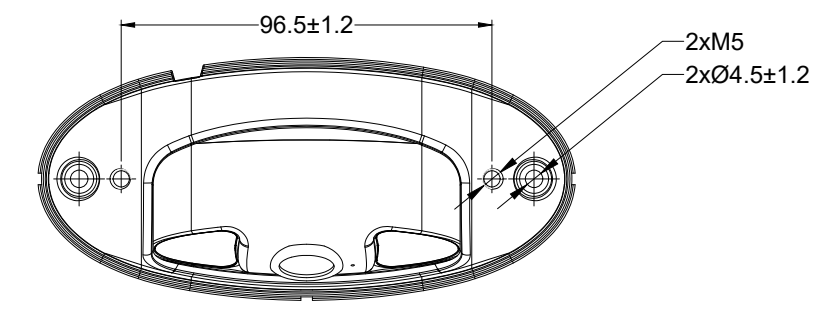
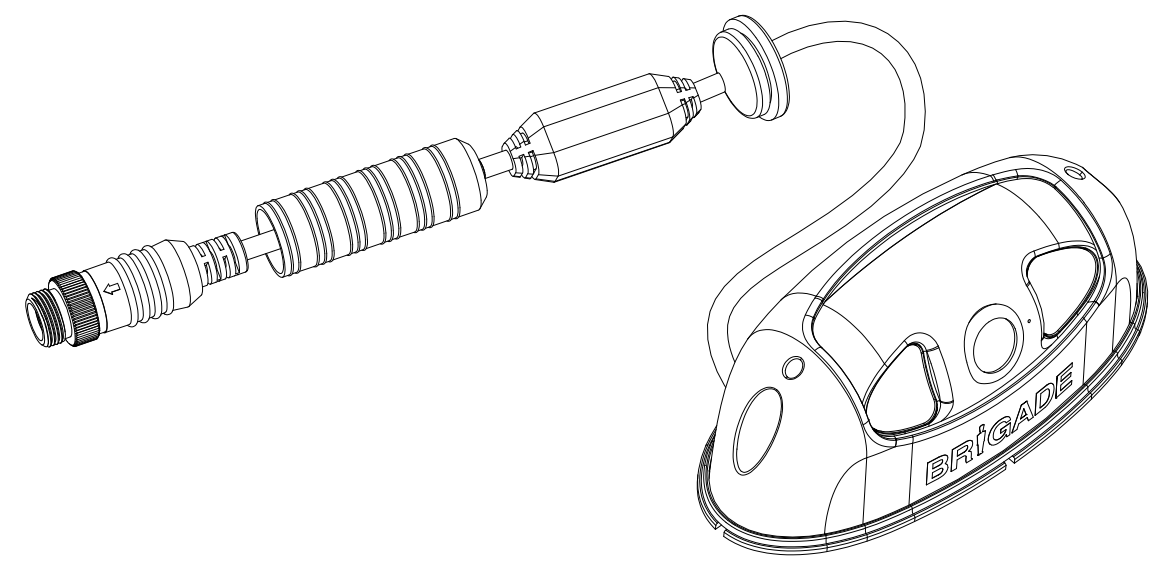


PART NO.	MODEL NO.	DESCRIPTION
7526	VBV-2240C-AI-D04	BACKEYE®360 VBV-360-1000-AI, AI-FHD CAMERA
S7526	VBV-2240C-AI-D04	BACKEYE®360 VBV-360-1000-AI, AI-FHD CAMERA
7653	VBV-222XC-AI-DVS-RM	RUBBER MOUNTING MAT FOR VBV-2220C-AI-DVS & VBV-2240C-AI-D04
S7653	VBV-222XC-AI-DVS-RM	RUBBER MOUNTING MAT FOR VBV-2220C-AI-DVS & VBV-2240C-AI-D04

Revision Notes.				
SPARE PARTS MATRIX ADDED				
APA: W.XIA	Drawn: R.TIMMS	Checked: A.KING	Approved: JN.BATOUR	Date: 15.10.24



PIN #	DESCRIPTION
1	5V
2	ALARM OUT
3	POWER
4	VIDEO GROUND
5	AUDIO
6	USB DM
7	USB DP
8	VIDEO

- NOTES:**
- HOUSING COLOUR IS BLACK
 - HOUSING MATERIAL IS ALUMINUM
 - FIRMWARE: ADA32V2 XXXXXXXX.XXX
 - ENSURE MOVEABLE RUBBER SLEEVE IS USED DURING INSTALL TO RETAIN IP RATING
 - FOR LABEL AND PACKAGING DETAILS REFER TO MASTER BOM.
 - RUBBER MOUNTING MATT NO DRAWING AVAILABLE CAN BE PURCHASED AS A SPARE.
 - ANY CUSTOMER MODIFICATION OF THIS PRODUCT CAUSING SUBSEQUENT FAILURE IS NOT A LIABILITY OF BRIGADE ELECTRONICS GROUP PLC.

Assembly Pl Approval W.XIA	Approved by JN BATOUR	Checked by A. FOSTER	Drawn by A.KING
Angle of Projection 	Units mm	Scale N/A	Released 12/09/24
Status RELEASED	VBV-2240C-AI-D04-C		
Part No VARIOUS	BE-004853-01-23		

PROPRIETARY NOTICE
THIS DESIGN AND TECHNICAL INFORMATION APPEARING ON THIS DRAWING IS THE PROPERTY OF BRIGADE ELECTRONICS, AND IS DISCLOSED IN CONFIDENCE. IT IS NOT TO BE COPIED, REPRODUCED, REVEALED TO OR EXPROPRIATED BY OTHERS, EITHER IN WHOLE OR IN PART WITHOUT THE EXPRESS WRITTEN CONSENT OF BRIGADE ELECTRONICS.

